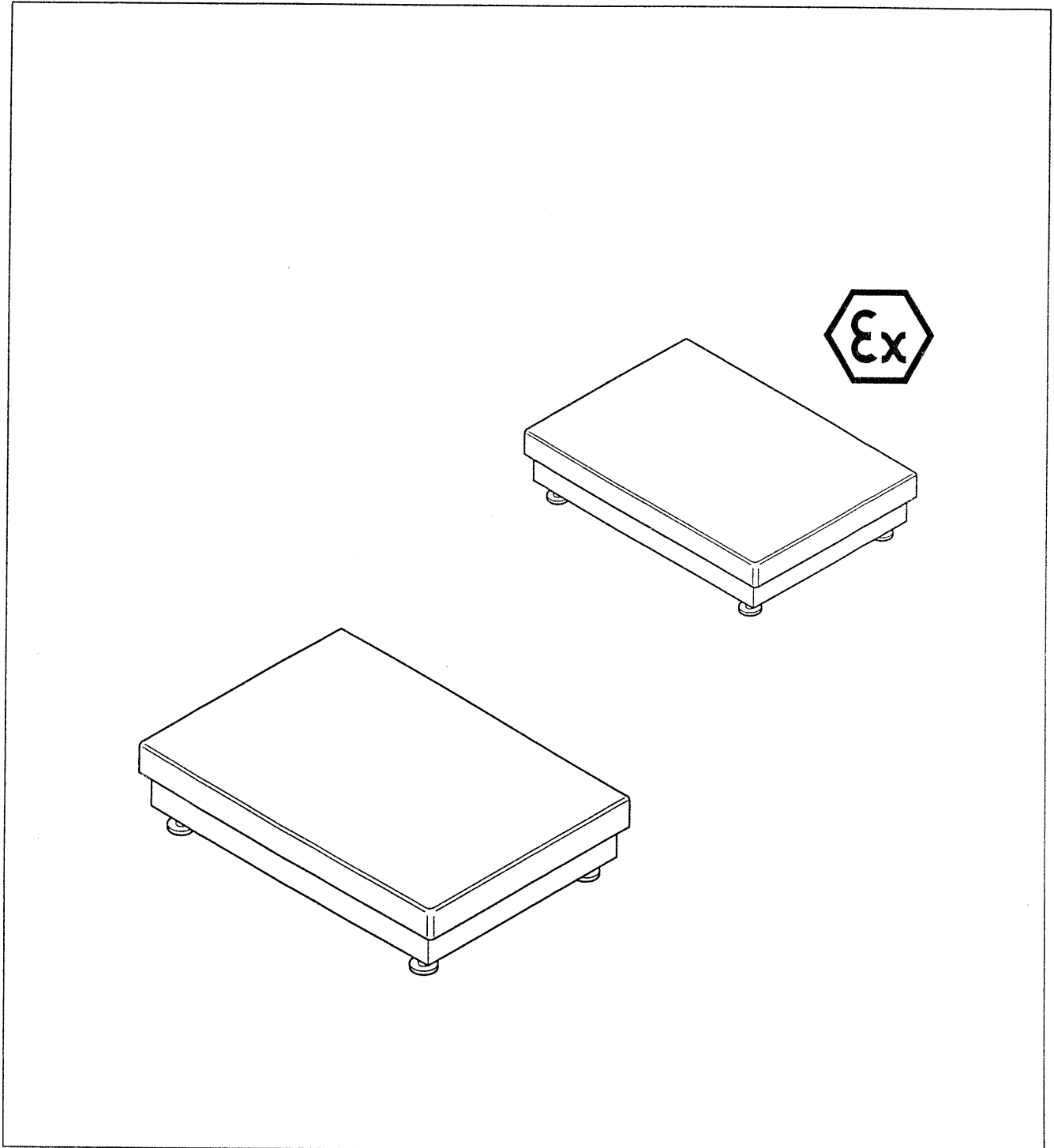


METTLER TOLEDO MultiRange

Stand scales

DB30sT / DB60sT / DCC150sT / DCC300sT

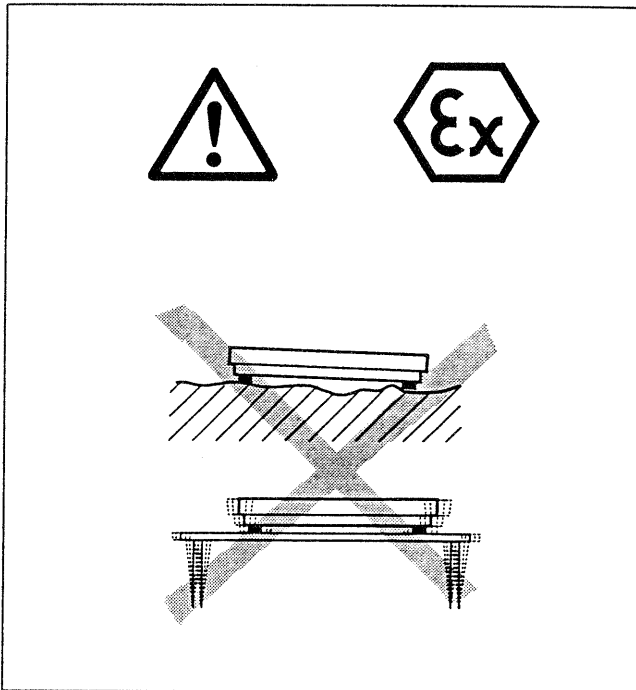
DB30sTx / DB60sTx / DCC150sTx / DCC300sTx



Contents		Page
1	Installation	2
1.1	Preparatory work	2
1.2	Setting up and leveling the weighing platform	2
1.3	Attaching the DB...(x) and DCC...(x) weighing platforms to the 8525 weighing terminal	3
1.4	Attaching the DB... and DCC... weighing platforms.....	3
2	Planning of attachments	4
2.1	Fundamentals	4
2.2	Fastening possibilities	5
3	Dimensions	6

1 Installation

1.1 Preparatory work



Cautionary notes – Use in hazardous areas

Only weighing platforms with the appropriate approval may be used in hazardous areas.

- Use only the following weighing platforms which have the Ex symbol shown opposite on their model plate in hazardous areas:

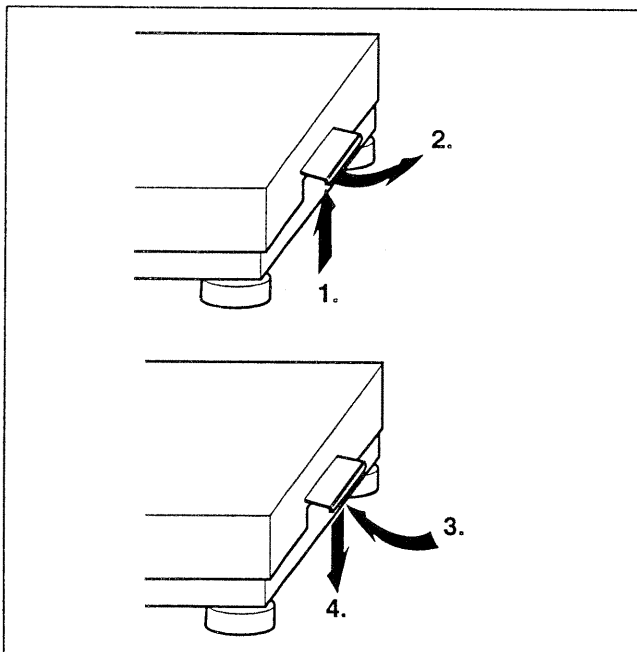
DB30sTx, DB60sTx, DCC150sTx, DCC300sTx.

- Observe explosion group and temperature class.
- Refer to D...x Guide for installers.

Selecting the site

- The foundation at the installation site must be capable of safely supporting the weighing platform at its support points when it is loaded to the maximum. At the same time, it should be so stable that no vibrations occur during weighing operations. This requirement also applies when the weighing platform is integrated in conveyor systems and the like.
- At the location, avoid vibrations from neighboring machines.

1.2 Setting up and leveling the weighing platform



Setting up

- Unpack weighing platform from transport package and position at installation site.
- Remove foam cushioning at four corners between load plate and frame.
- **DB... (x)**: Lift off load plate and remove 4 cardboard pieces.

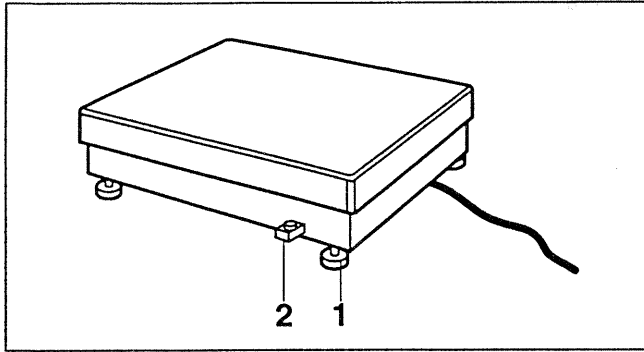
Replace load plate.

- **DCC... (x)**: Lift off load plate by first raising the two side handles vertically (1), then swinging them outward (2).

Remove 4 cardboard pieces.

Replace load plate, swivel handles inward (3) and reengage in original position (4), i.e. the handles must in the bottom position and be vertical.

After correct engagement of the handles, it should not be possible to lift off the load plate.



Leveling

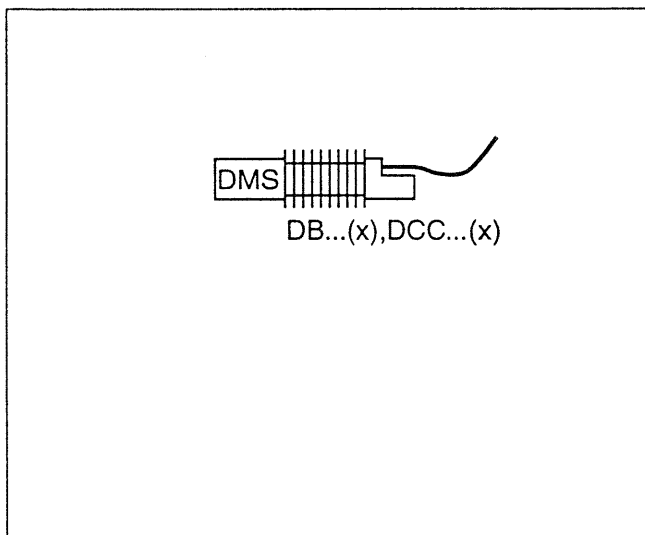
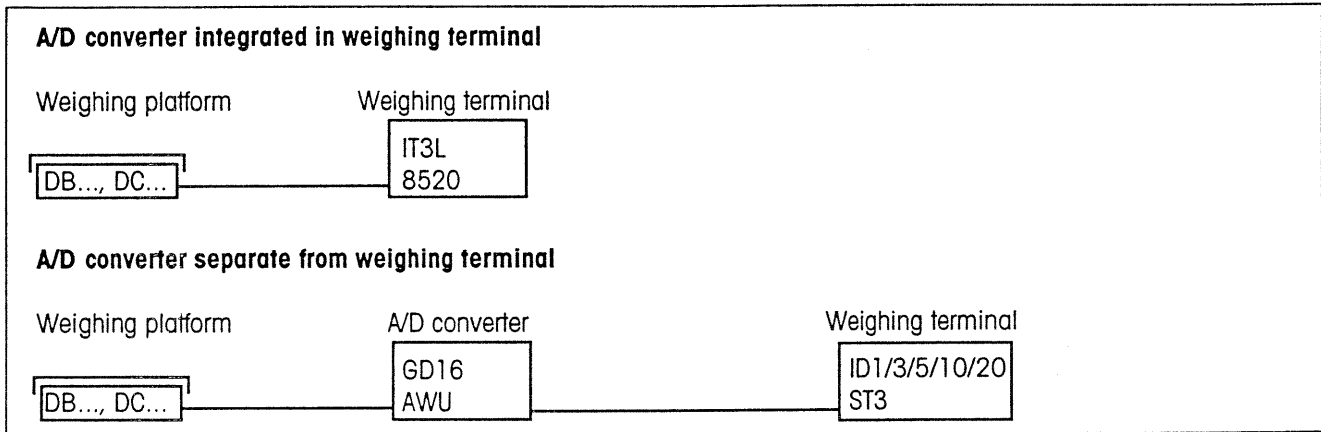
- Level the weighing platform using the four leveling screws (1) and level indicator (2): the air bubble in the level indicator must be in the middle of the ring.
- Ensure that the four leveling screws are uniformly positioned. Check the stability of the weighing platform by depressing or rocking the corners.
- Secure leveling screws with nuts.

1.3 Attaching the DB...(x) and DCC...(x) weighing platforms to the 8525 weighing terminal

See Guide for installers "D...x explosion-proof weighing system".

1.4 Attaching the DB... and DCC... weighing platforms

The weighing platforms are supplied with a 6-core connection cable. They can be attached to weighing terminals with integrated A/D converter (e.g. 8520, IT3L) or to A/D converter modules (e.g. GD16, AWU).



The cores of the connection cable have the following assignment:

Signal name	Wiring color code (cable)
+Excitation	blue
+Sense	green
-Sense	grey
-Excitation	black
+Signal	white
-Signal	red

Warning

Ensure that the shield of the connection cable is conductively connected to the housing of the weighing terminal via the cable gland.

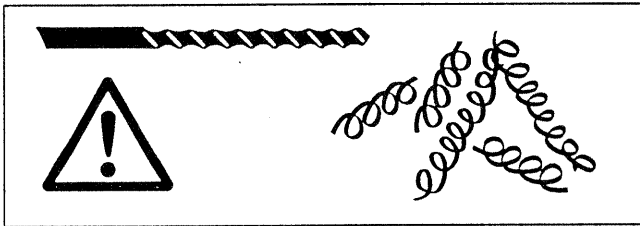
2 Planning of attachments

2.1 Fundamentals

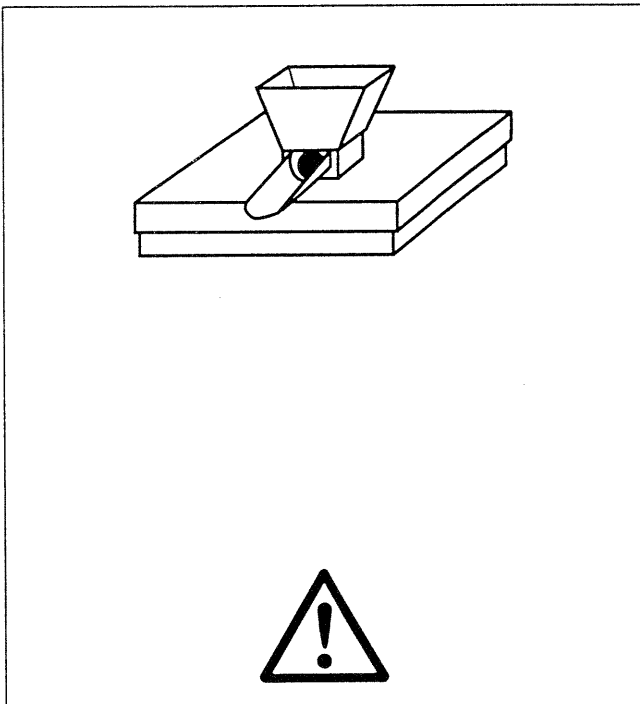
The design features of the weighing platforms make them ideally suited for integration in conveyor systems. The following instructions and dimension drawings form the basis for the design of the required attachments.

Planning hints

- The weighing platform must always rest on its leveling screws, never on the frame or lever components.
- Only the leveling screws may be used for permanent installation of the weighing platform.
- Moving or rotating parts on the weighing platform must be so arranged that they do not influence the weighing result. Rotating parts must be balanced.
- The load plate must be free on all sides so that dropped parts or buildup of contamination do not establish a connection between the load plate and permanently mounted components.
- Cables or tubing between the weighing platform and other machine parts must be routed so that they exert no force on the weighing platform.



- In the installation of attachments, it must be ensured that no metal turnings drop into the weighing platform. Thus, remove the load plate from the weighing platform before modifying it.



Preload range

- The weight of the components permanently mounted on the weighing platform is called the "preload". This preload must be electrically compensated in the weighing platform so that the entire weighing range is available.
- The maximum preload (or zero set range) that can be compensated depends on the configurable weighing range.

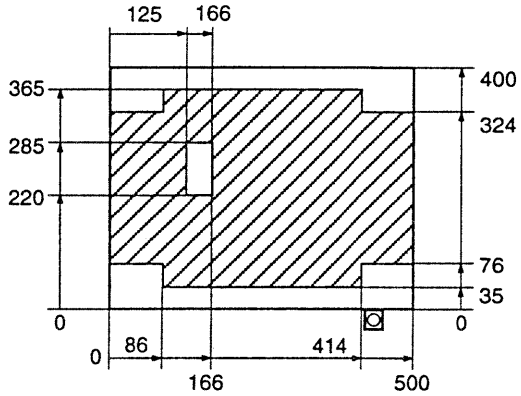
Stand Scale	Weighing range	Preload range
DB30sT(x)	30 kg	40 kg
DB60sT(x)	60 kg	40 kg
DCC150sT(x)	150 kg	200 kg
DCC300sT(x)	300 kg	150 kg

Caution

When the weighing platform is connected, the attachments must already be mounted.

2.2 Fastening possibilities

Fastening possibilities DB...(x)

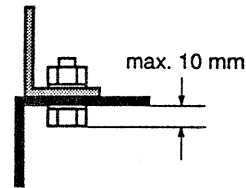


Fastening possibilities on the load carrier

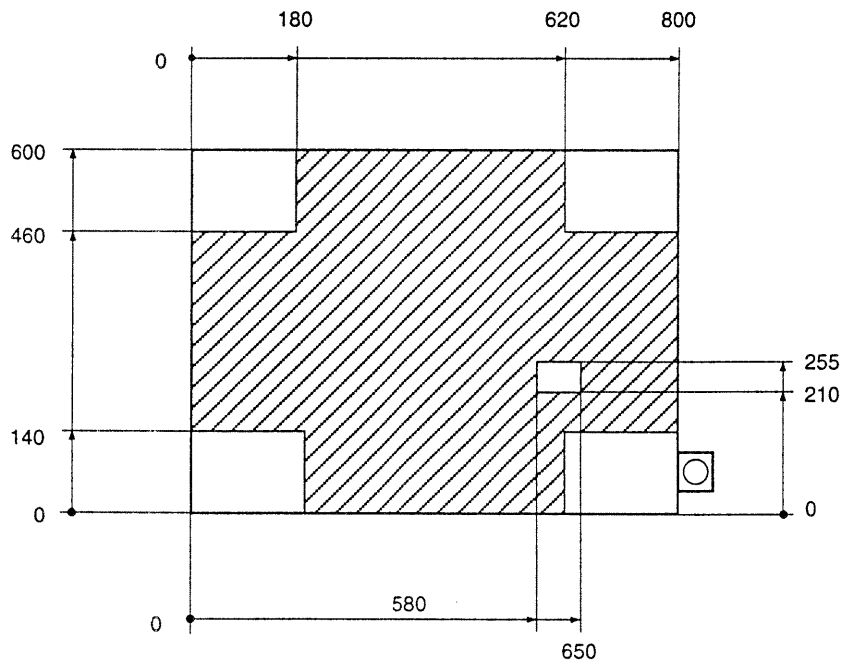
Platform attachments can be fixed to the hatched areas.

Recommended fastening method: Bolts.

Remove load plate and bore holes in it. Fasteners (e.g. nuts and bolts) may not protrude more than 10 mm above the lower edge of the load plate or load carrier.

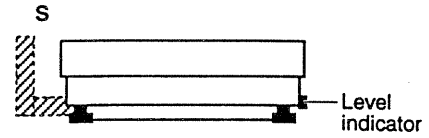
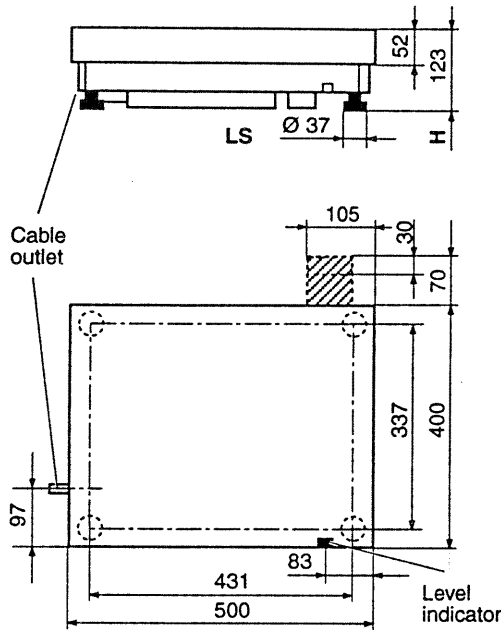


Fastening possibilities DCC...(x)



3 Dimensions

Dimensions DB...(x)

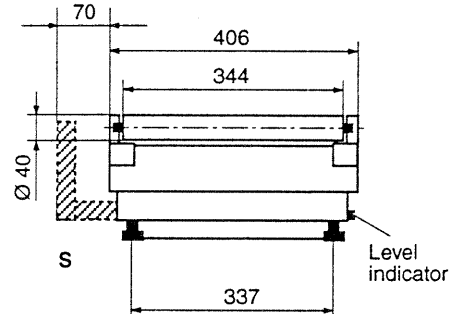
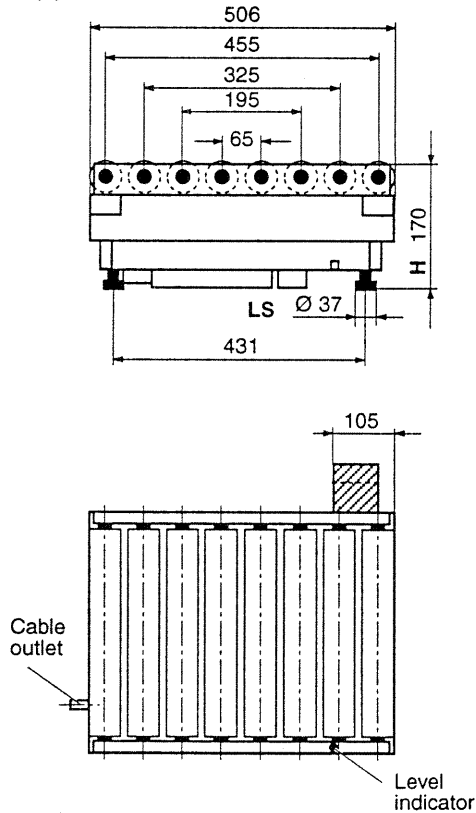


H: adjustable with 4 leveling screws
 H min = 123 mm
 H max = 148 mm

LS: Leveling screw
 Screw diameter D = \varnothing 37 mm
 Width across flats = 17 mm
 Thread = M10

S: Stand

Roller track dimensions DB...(x)

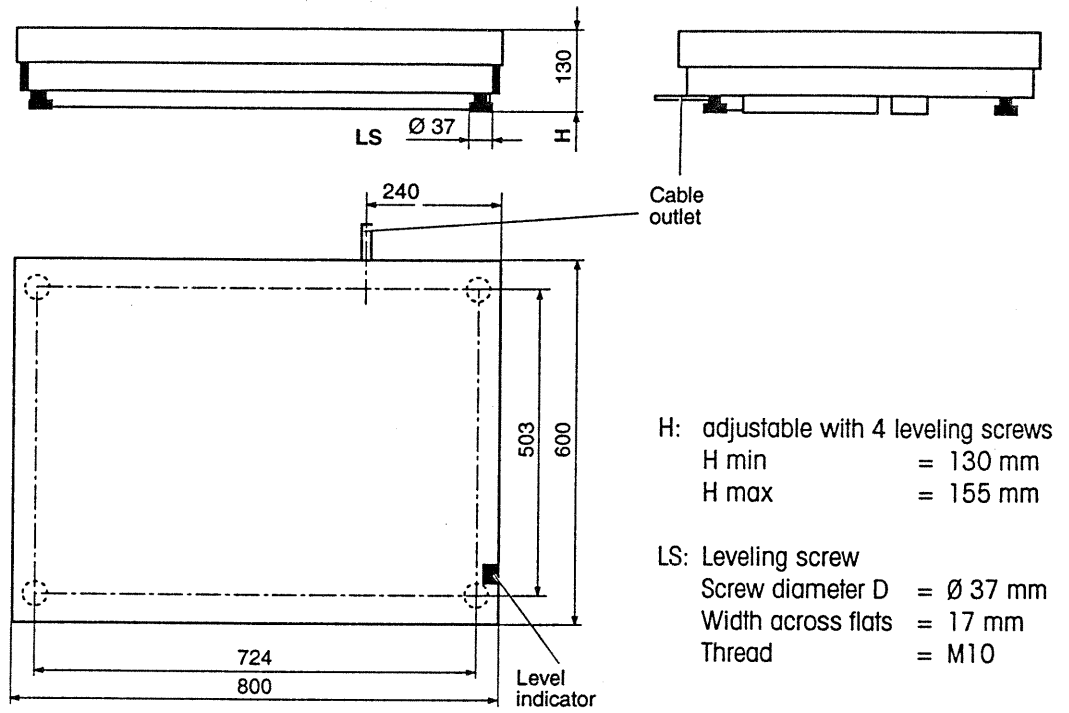


H: adjustable with 4 leveling screws
 H min = 170 mm
 H max = 195 mm

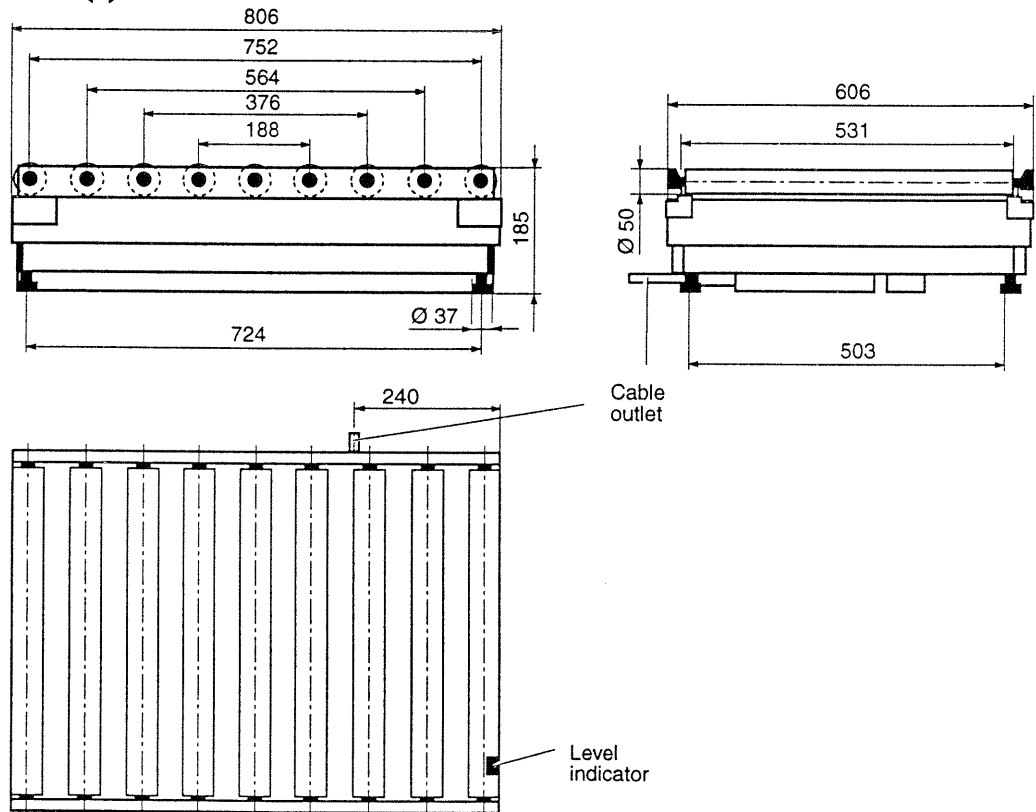
LS: Leveling screw
 Screw diameter D = \varnothing 37 mm
 Width across flats = 17 mm
 Thread = M10

S: Stand

Dimensions DCC...(x)



Roller track dimensions DCC...(x)





Νέυτων Τεχνολογίες ΑΒΕΕ

Γέρακα 113, Τ.Θ. 67934

15344 Γέρακας

Τηλ: 210 6654544

Fax: 210 6654545

marketing@nefton.gr

www.nefton.gr

Mettler-Toledo (Albstadt) GmbH, D-72458 Albstadt, Germany, Tel. (0 74 31) 14-0, Fax (0 74 31) 14-232

A **Mettler-Toledo Ges.m.b.H.**, 1100 Wien, Tel. (01) 604 19 80, Fax (01) 604 28 80
AUS **Mettler-Toledo Ltd.**, Victoria 3207, Tel. (3) 646 45 51, Fax (3) 645 39 35
B **N.V. Mettler-Toledo S.A.**, 1651 Lot, Tél. (02) 3340211, Fax (02) 3781665
CH **Mettler-Toledo (Schweiz) AG**, 8606 Greifensee, Tel. (01) 944 45 45, Fax (01) 944 45 10
CN **Mettler-Toledo (Shanghai) Ltd.**, Shanghai 200233, Tel. (21) 470 3932, Fax (21) 470 3351
D **Mettler-Toledo GmbH**, 35353 Giessen 11, Tel. (0641) 507-0, Fax (0641) 5 29 51
DK **Mettler-Toledo A/S**, 2100 Copenhagen Ø, Tel. (39) 29 04 00, Fax (39) 29 04 26
E **Mettler-Toledo S.A.E.**, 08038 Barcelona, Tel. (93) 223 22 22, Fax (93) 223 02 71
F **Mettler-Toledo s.a.**, 78220 Viroflay, Tél. (1) 30 97 17 17, Fax (1) 30 97 16 16
HK **Mettler-Toledo PacRim Ltd.**, Kowloon, Hongkong, Tel. 724 23 48, Fax 724 23 49
I **Mettler-Toledo S.p.A.**, 20026 Novate Milanese, Tel. (02) 33332.1, Fax (02) 35 62 973
J **Mettler-Toledo K.K.**, Takarazuka 665, Tel. 797 74 2406, Fax 797 74 2641
N **Mettler-Toledo A/S**, 1008 Oslo 10, Tel. (22) 30 44 90, Fax (22) 32 70 02
NL **Mettler-Toledo B.V.**, 4000 HA Tiel, Tel. (03440)11311*, Fax (03440) 20530
S **Mettler-Toledo AB**, 120 08 Stockholm, Tel. (08) 702 50 00, Fax (08) 642 45 62
SGP **Mettler-Toledo (S.E.A.) Pte. Ltd.**, Singapore 0513, Tel. 0065 778 67 79, Fax 0065 778 66 39
TH **Mettler-Toledo (Thailand)**, Bangkok 10310, Tel. 719 64 80-87, Fax 719 64 79
UK **Mettler-Toledo Ltd.**, Leicester, LE4 1AW, Tel. (0116) 235 7070, Fax (0116) 236 6399
USA **Mettler-Toledo Inc.**, Worthington, Ohio 43085, Tel. (614) 438-4511, Fax (614) 438-4755
USA **Mettler-Toledo, Inc.**, Hightstown, NJ 08520-0071, Tel. (609) 448-3000, Fax (609) 586-5451
For all other countries: **Mettler-Toledo AG, VI**, 8606 Greifensee, Tel. 01/944 22 11, Fax 01/944 31 70